



ECS455: Chapter 4

Multiple Access

4.8 IS-95



Dr. Prapun Suksompong
prapun.com/ecs455

Office Hours:

BKD 3601-7

Tuesday 9:30-10:30

Tuesday 13:30-14:30

Thursday 13:30-14:30

Evolution of cellular network

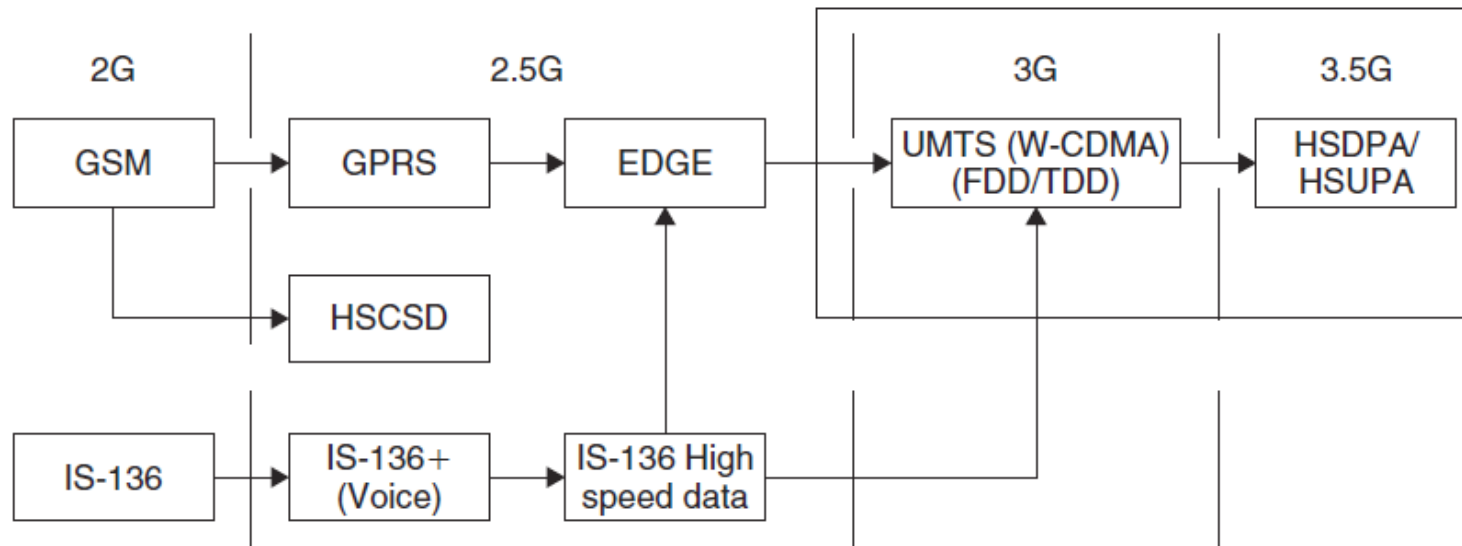


Figure 1.1 Evolution of 2G networks based on TDMA technology.

[Abu-Rgheff, 2007]

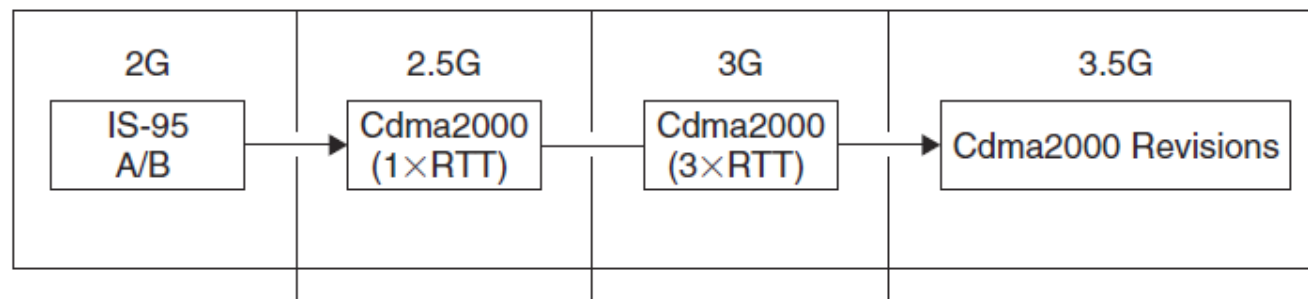


Figure 1.2 Evolution of 2G networks based on CDMA technology.

The first CDMA demo



IS-95 System

cdmaOne

- Based on direct sequence CDMA (**DS-CDMA**)
 - **First** CDMA-based digital cellular standard.
- The brand name for IS-95 is cdmaOne.
 - Also known as TIA-EIA-95.
- Proposed by Qualcomm in 1989 and adopted in 1993.
 - North America
- Replaced by IS-2000 (CDMA2000)
- **1.25 MHz Channel BW**
- 1.228 Mb/s chip rate
- Walsh functions of “order 64” are extensively used in the IS-95 system.
- Remarks
 - IS-95B = cdmaOne
 - Upgrade IS-95A
 - Can carry data at rates up to **14.4 kbps** for IS-95A and **115 kbps** for IS-95B.



64-ary Walsh Sequences

Table 5.8 Walsh functions of order 64, as indexed in IS-95 (W_i is the Walsh notation, and H_i is the Hadamard notation)

W_0	H_0	00000000000000 00000000000000 00000000000000 00000000000000	W_1	H_{32}	00000000000000 00000000000000 11111111111111 11111111111111
W_{63}	H_1	01010101010101 01010101010101 01010101010101 01010101010101	W_{62}	H_{33}	01010101010101 01010101010101 10101010101010 10101010101010
W_{31}	H_2	0011001100110011 0011001100110011 0011001100110011 0011001100110011	W_{30}	H_{34}	0011001100110011 0011001100110011 1100110011001100 1100110011001100
W_{32}	H_3	0110011001100110 0110011001100110 0110011001100110 0110011001100110	W_{33}	H_{35}	0110011001100110 0110011001100110 1001100110011001 1001100110011001
W_{15}	H_4	0000111100001111 0000111100001111 0000111100001111 0000111100001111	W_{14}	H_{36}	0000111100001111 0000111100001111 1111000011110000 1111000011110000
W_{48}	H_5	0101101001011010 0101101001011010 0101101001011010 0101101001011010	W_{49}	H_{37}	0101101001011010 0101101001011010 1010010110100101 1010010110100101
W_{16}	H_6	0011110000111100 0011110000111100 0011110000111100 0011110000111100	W_{17}	H_{38}	0011110000111100 0011110000111100 1100001111000011 1100001111000011
W_{47}	H_7	0110100101101001 0110100101101001 0110100101101001 0110100101101001	W_{46}	H_{39}	0110100101101001 0110100101101001 1001011010010110 1001011010010110
W_7	H_8	0000000011111111 0000000011111111 0000000011111111 0000000011111111	W_6	H_{40}	0000000011111111 0000000011111111 1111111100000000 1111111100000000
W_{56}	H_9	0101010110101010 0101010110101010 0101010110101010 0101010110101010	W_{57}	H_{41}	0101010110101010 0101010110101010 1010101001010101 1010101001010101
W_{24}	H_{10}	0011001111001100 0011001111001100 0011001111001100 0011001111001100	W_{25}	H_{42}	0011001111001100 0011001111001100 1100110000110011 1100110000110011
W_{39}	H_{11}	0110011010011001 0110011010011001 0110011010011001 0110011010011001	W_{38}	H_{43}	0110011010011001 0110011010011001 1001100101100110 1001100101100110
W_8	H_{12}	0000111111110000 0000111111110000 0000111111110000 0000111111110000	W_9	H_{44}	0000111111110000 0000111111110000 1111000000001111 1111000000001111
W_{55}	H_{13}	0101101010100101 0101101010100101 0101101010100101 0101101010100101	W_{54}	H_{45}	0101101010100101 0101101010100101 1010010101011010 1010010101011010
W_{23}	H_{14}	0011110011000011 0011110011000011 0011110011000011 0011110011000011	W_{22}	H_{46}	0011110011000011 0011110011000011 1100001100111100 1100001100111100
W_{40}	H_{15}	0110100110010110 0110100110010110 0110100110010110 0110100110010110	W_{41}	H_{47}	0110100110010110 0110100110010110 1001011001010001 1001011001010001
W_3	H_{16}	0000000000000000 1111111111111111 0000000000000000 1111111111111111	W_2	H_{48}	0000000000000000 1111111111111111 1111111111111111 0000000000000000
W_{60}	H_{17}	0101010101010101 1010101010101010 0101010101010101 1010101010101010	W_{61}	H_{49}	0101010101010101 1010101010101010 1010101010101010 0101010101010101
W_{28}	H_{18}	0011001100110011 1100110011001100 0011001100110011 1100110011001100	W_{29}	H_{50}	0011001100110011 1100110011001100 1100110011001100 0011001100110011
W_{35}	H_{19}	0110011001100110 1001100110011001 0110011001100110 1001100110011001	W_{34}	H_{51}	0110011001100110 1001100110011001 1001100110011001 0110011001100110
W_{12}	H_{20}	0000111100001111 1111000011110000 0000111100001111 1111000011110000	W_{13}	H_{52}	0000111100001111 1111000011110000 1111000011110000 0000111100001111
W_{51}	H_{21}	0101101001011010 1010010110100101 0101101001011010 1010010110100101	W_{50}	H_{53}	0101101001011010 1010010110100101 1010010110100101 0101101001011010
W_{19}	H_{22}	0011110000111100 1100001111000011 0011110000111100 1100001111000011	W_{18}	H_{54}	0011110000111100 1100001111000011 1100001111000011 0011110000111100
W_{44}	H_{23}	0110100101101001 1001011010010110 0110100101101001 1001011010010110	W_{45}	H_{55}	0110100101101001 1001011010010110 1001011010010110 0110100101101001
W_4	H_{24}	0000000011111111 1111111100000000 0000000011111111 1111111100000000	W_5	H_{56}	0000000011111111 1111111100000000 1111111100000000 0000000011111111
W_{59}	H_{25}	0101010110101010 1010101001010101 0101010110101010 1010101001010101	W_{58}	H_{57}	0101010110101010 1010101001010101 1010101001010101 0101010110101010
W_{27}	H_{26}	0011001111001100 1100110000110011 0011001111001100 1100110000110011	W_{26}	H_{58}	0011001111001100 1100110000110011 1100110000110011 0011001111001100
W_{36}	H_{27}	0110011010011001 1001100101100110 0110011010011001 1001100101100110	W_{37}	H_{59}	0110011010011001 1001100101100110 1001100101100110 0110011010011001
W_{11}	H_{28}	0000111111110000 1111000000001111 0000111111110000 1111000000001111	W_{10}	H_{60}	0000111111110000 1111000000001111 1111000000001111 0000111111110000
W_{52}	H_{29}	0101101010100101 1010010101011010 0101101010100101 1010010101011010	W_{53}	H_{61}	0101101010100101 1010010101011010 1010010101011010 0101101010100101
W_{20}	H_{30}	0011110011000011 1100001100111100 0011110011000011 1100001100111100	W_{21}	H_{62}	0011110011000011 1100001100111100 1100001100111100 0011110011000011
W_{43}	H_{31}	0110100110010110 1001011001101001 0110100110010110 1001011001101001	W_{12}	H_{63}	0110100110010110 1001011001101001 1001011001101001 0110100110010110

Walsh Sequences in IS-95

- **Forward link (Downlink)**

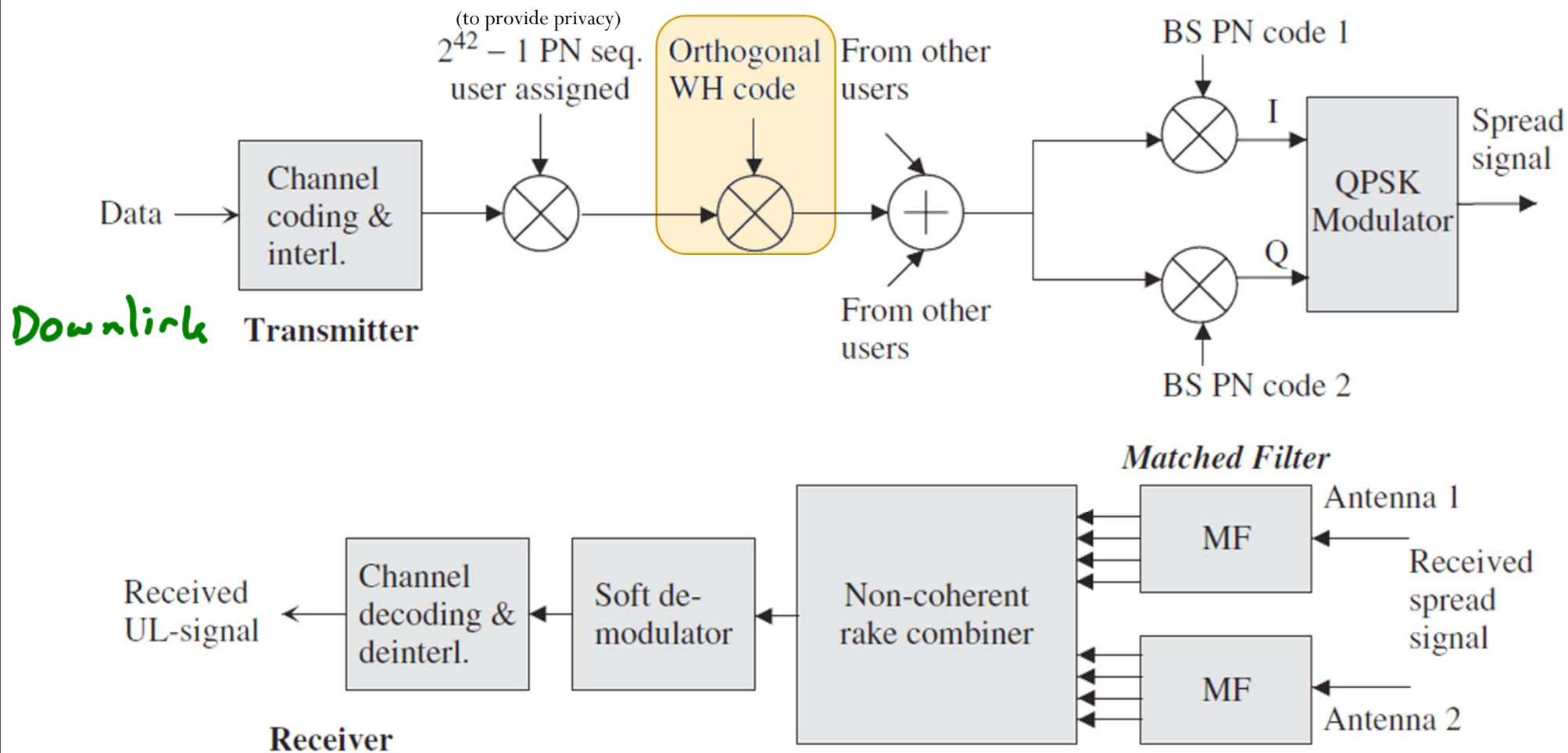
- QPSK with a chip rate of 1,228,800 per second.
- The **multiple access scheme** is accomplished by the use of 64-bit spreading orthogonal **Walsh sequences** (functions).
 - The (coded and interleaved) traffic channel signal symbols are multiplied with distinct repeating Walsh sequences that are assigned to each channel for the duration of the call.
- Every base stations is synchronized with a GPS receiver so transmissions are tightly controlled in time.

- **Reverse link (Uplink)**

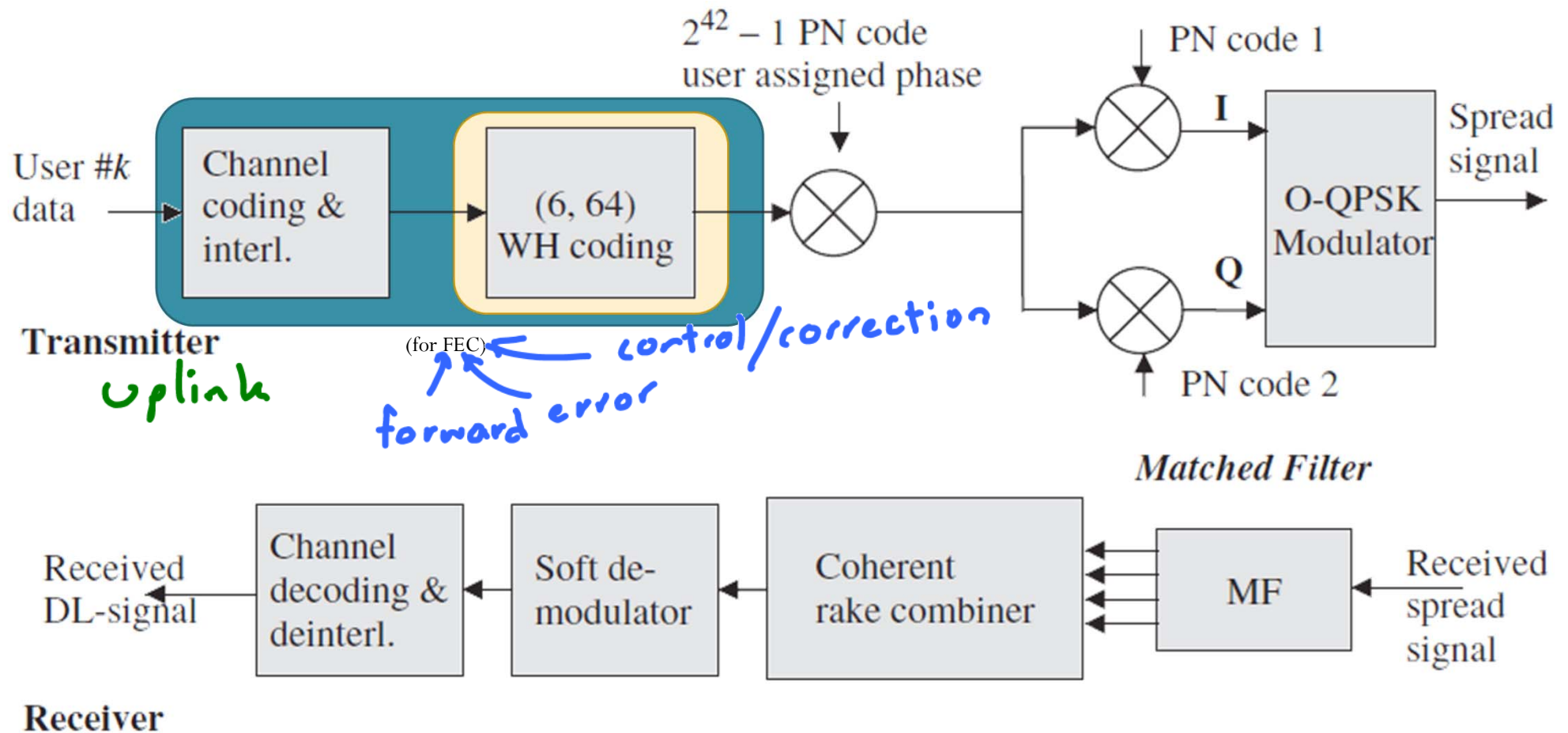
- The Walsh sequences are employed as an **orthogonal modulation code**, which depends only on the data pattern (not channel), forming a 64-ary orthogonal modulation system.

2^6 map 6-bit data \rightarrow 64-bit seq.

IS-95 base station transceiver



IS-95 terminal station transceiver



IS-95

- The **reverse link** is subject to near-far effects.
- More powerful **error correction** is employed on the reverse link.
 - A rate 1/2 constraint length 9 convolutional code followed by an interleaver on the forward channel
 - A rate 1/3 constraint length 9 convolutional code followed by an interleaver is used on the reverse link.
 - Also with WH(6,64)
 - Interleaving is utilized to avoid large burst errors, which can be very detrimental to convolutional codes.
- **Power control.**
 - Use a subchannel on the forward link
 - Every 1.25 ms the base station receiver estimates the signal strength of the mobile unit.
 - If it is too high, the base transmits a 1 on the subchannel. If it is too low, it transmits a 0.
 - In this way, the mobile station adjusts its power every 1.25 ms as necessary so as to reduce interference to other users.

IS-95: Increased Spectral Efficiency

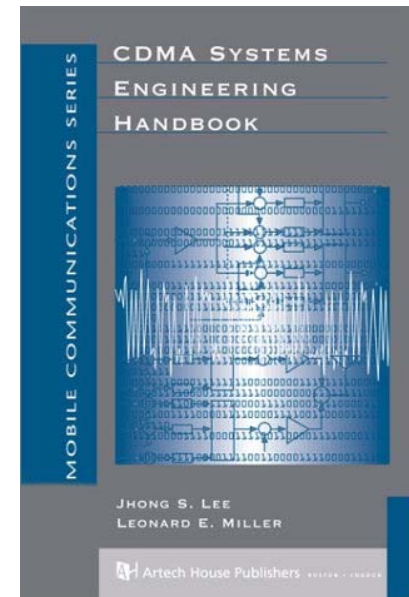
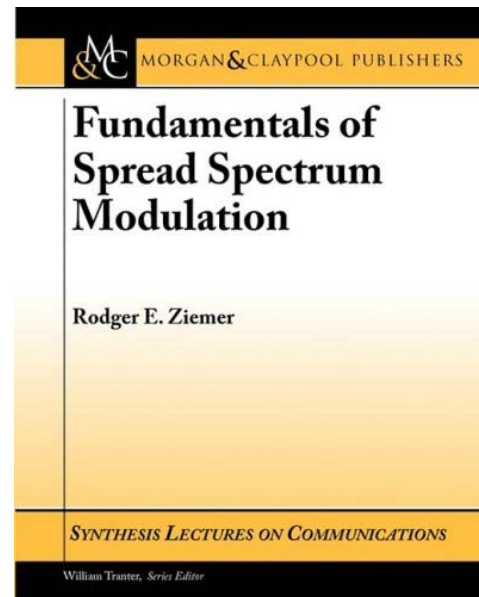
- Improve frequency reuse.
 - Narrow-band systems cannot use the same transmission frequency in adjacent cells because of the potential for interference.
 - CDMA has inherent resistance to interference.
 - $N = 1$ (theoretically)
 - Although users from adjacent cells will contribute to interference level, their contribution will be significantly less than the interference from the same cell users.
 - Frequency reuse efficiency increases by a factor of 4 to 6.
- When used to transmit voice signals, CDMA systems may exploit the fact that voice activity typically lies at somewhat less than 40%, thus reducing the amount of interference to 40% of its original value.

QCELP

- Qualcomm code-excited linear prediction algorithm
- Used for voice encoding.
- The voice coder exploits gaps and pauses in speech.
- The data rate is variable.
- To keep the symbol rate constant, whenever the bit rate falls below the peak bit rate of 9600 kbit/s, repetition is used to fill the gaps.
 - For example, if the output of the voice coder (and subsequently the convolutional coder) falls to 2400 bit/s, the output is repeated three times before it is sent to the interleaver.
 - Takes advantage of this repetition time by reducing the output power during three out of the four identical symbols by at least 20 dB.
 - In this way, the multiple-access interference is reduced.
- This voice activity gating reduces interference and increases overall capacity.

References

- J. S. Lee and L. E. Miller, **CDMA Systems Engineering Handbook**, 1998.
 - Chapter 4 and 5
- R.E. Ziemer, **Fundamentals of Spread Spectrum Modulation**, 2007
 - Chapter 4



[TK5103.45 L44 1998]

Cellular System	Multiple Access Technique
Advanced Mobile Phone System (AMPS)	FDMA/FDD
Global System for Mobile (GSM)	TDMA/FDD
US Digital Cellular (USDC)	TDMA/FDD
Pacific Digital Cellular (PDC)	TDMA/FDD
CT2 (Cordless Telephone)	FDMA/TDD
Digital European Cordless Telephone (DECT)	FDMA/TDD
US Narrowband Spread Spectrum (IS-95)	CDMA/FDD
W-CDMA (3GPP)	CDMA/FDD CDMA/TDD
cdma2000 (3GPP2)	CDMA/FDD CDMA/TDD